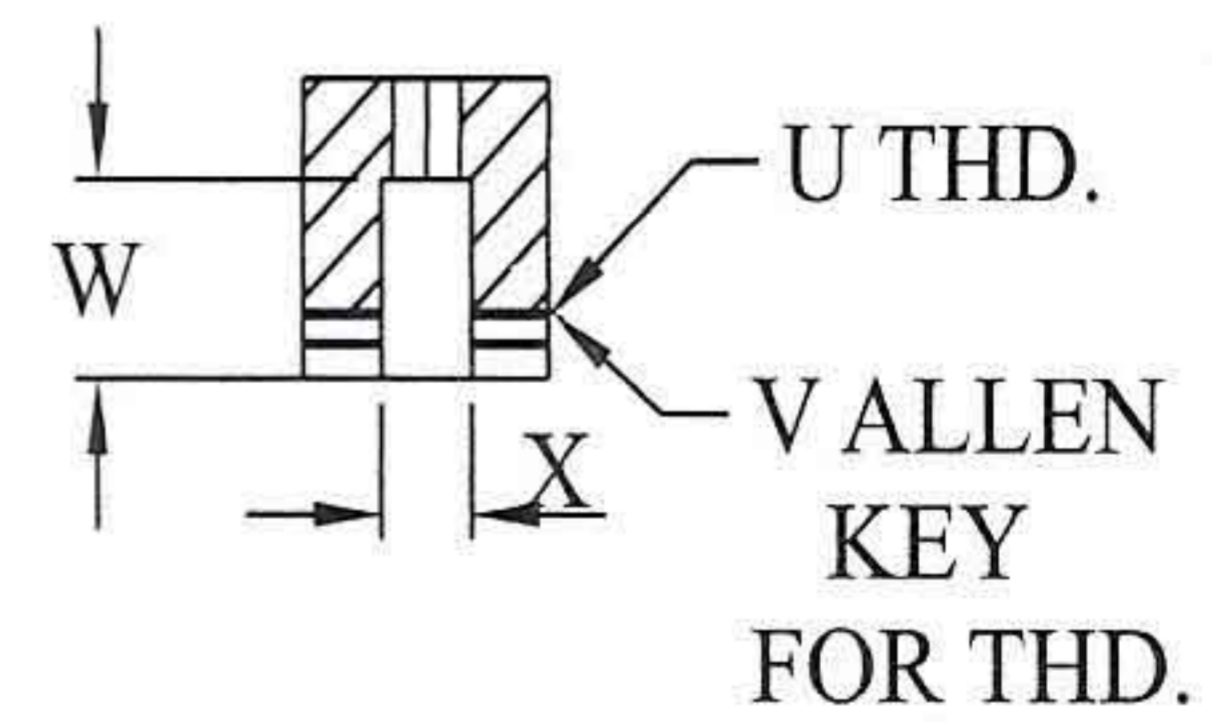
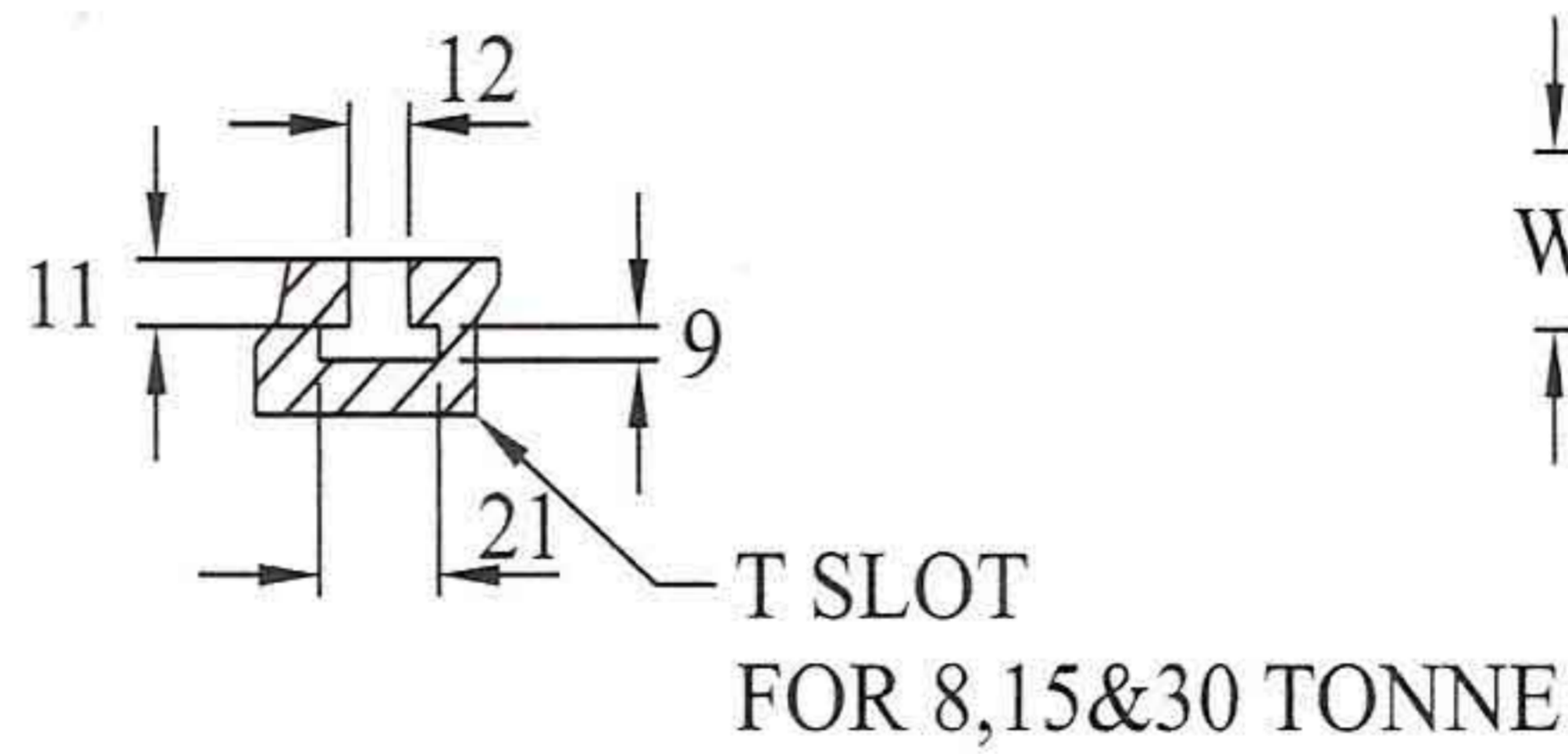
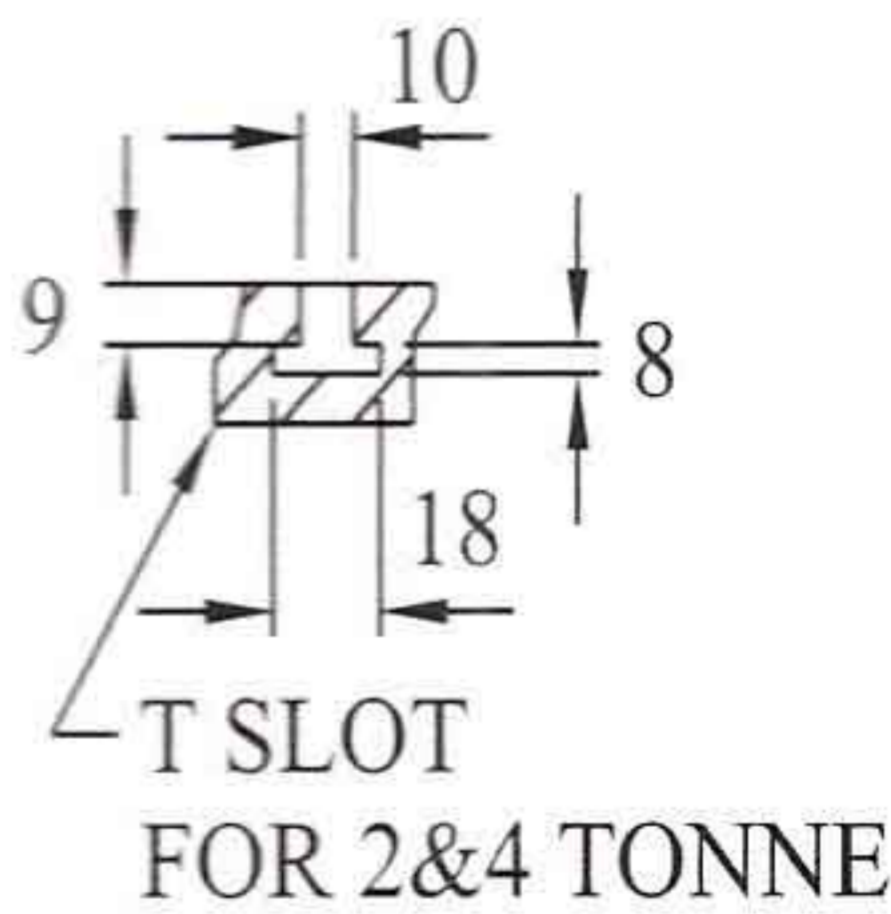
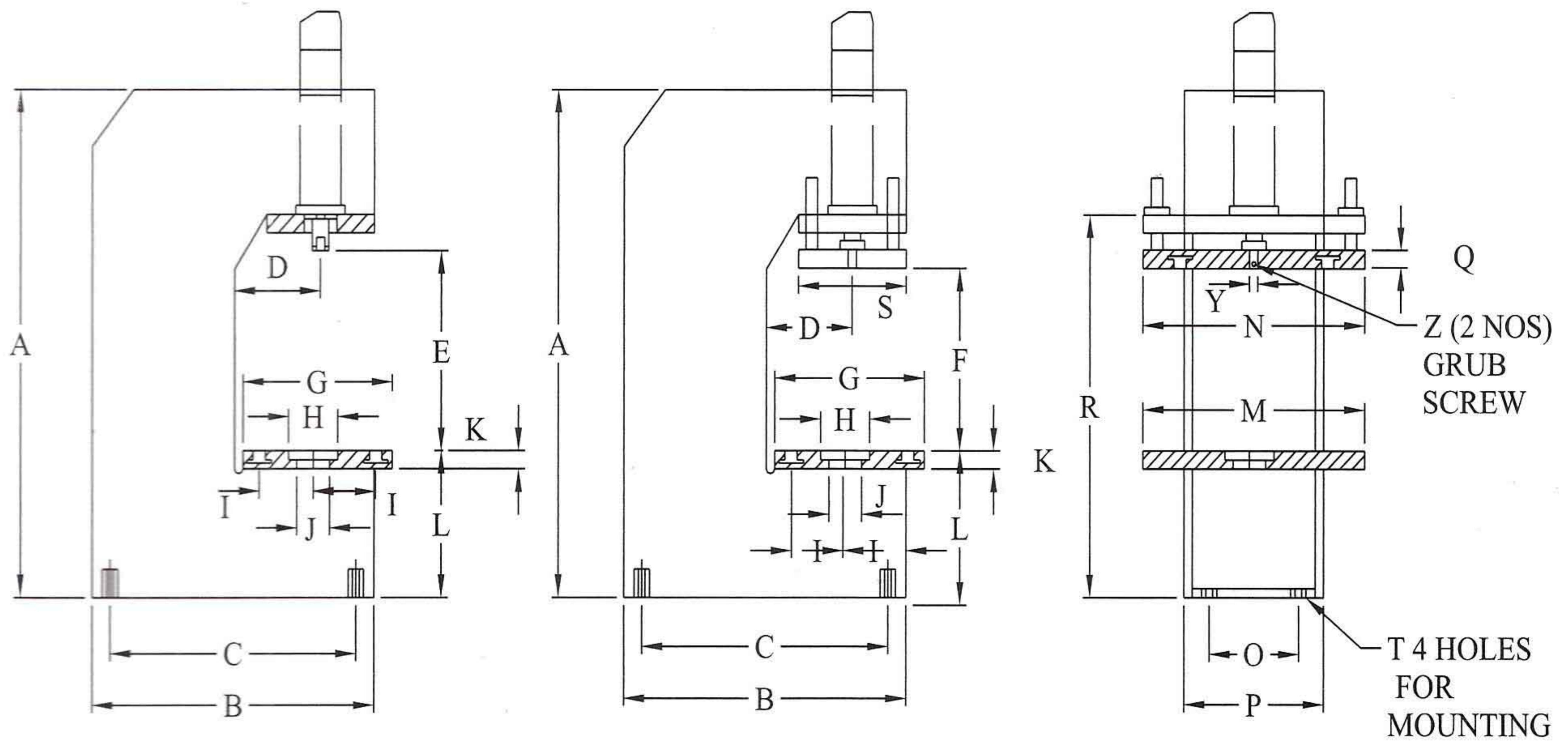


## "C" FRAME PRESSES



### MODEL NUMBER

PLAIN	WITH ANTI ROTATION GUIDE	WITH GUIDED MOVING PLATE	TONNE	A	B	C	D	E	F	G	H	I	J	K	L	M	N	O	P	Q	R	S	T	U	V	X	Y	Z
NCF02	NCF02R	NCF02G	2	770	465	400	125	255	222	230	60	75	45	38	238	230	266	85	180	38	575	200	13	M6	3	20	20	M6
NCF04	NCF04R	NCF4G	4	890	550	480	150	310	270	280	75	100	55	43	268	280	311	120	225	43	673	200	13	M8	4	25	25	M8
NCF08	NCF08R	NCF08G	8	985	640	575	175	300	250	350	105	100	75	53	323	350	382	150	296	53	728	230	13	M8	4	25	25	M8
NCF15	NCF15R	NCF15G	15	1150	700	630	200	350	295	380	130	125	90	62	372	380	421	150	311	62	852	250	17	M8	4	30	30	M8
NCF30	NCF30R	NCF30G	30	1220	750	680	200	350	275	380	130	125	90	72	397	380	474	175	340	72	905	250	17	M10	5	40	40	M10