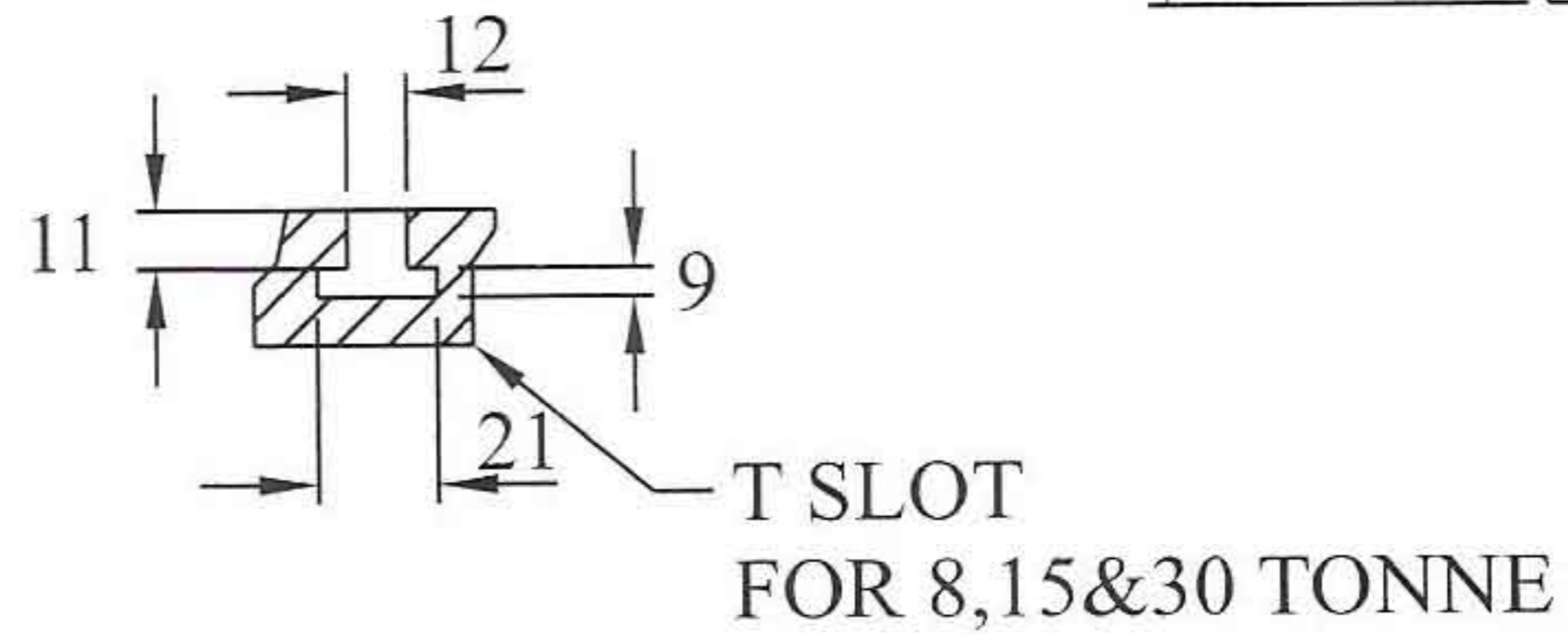
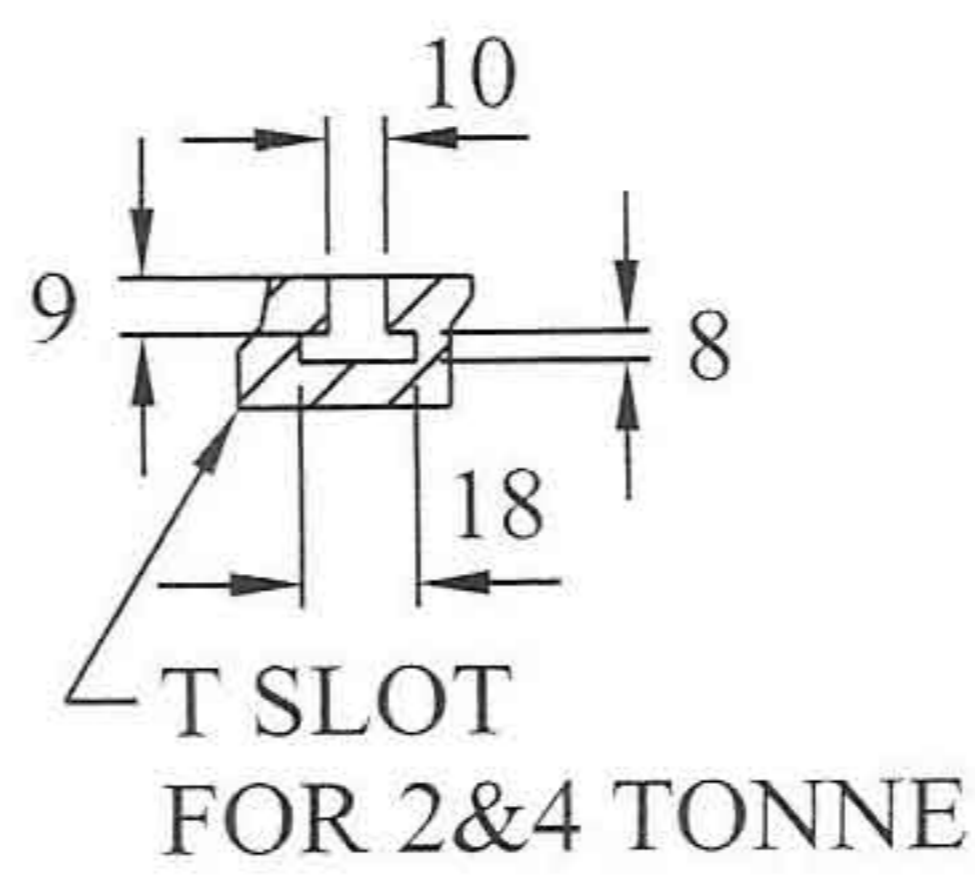
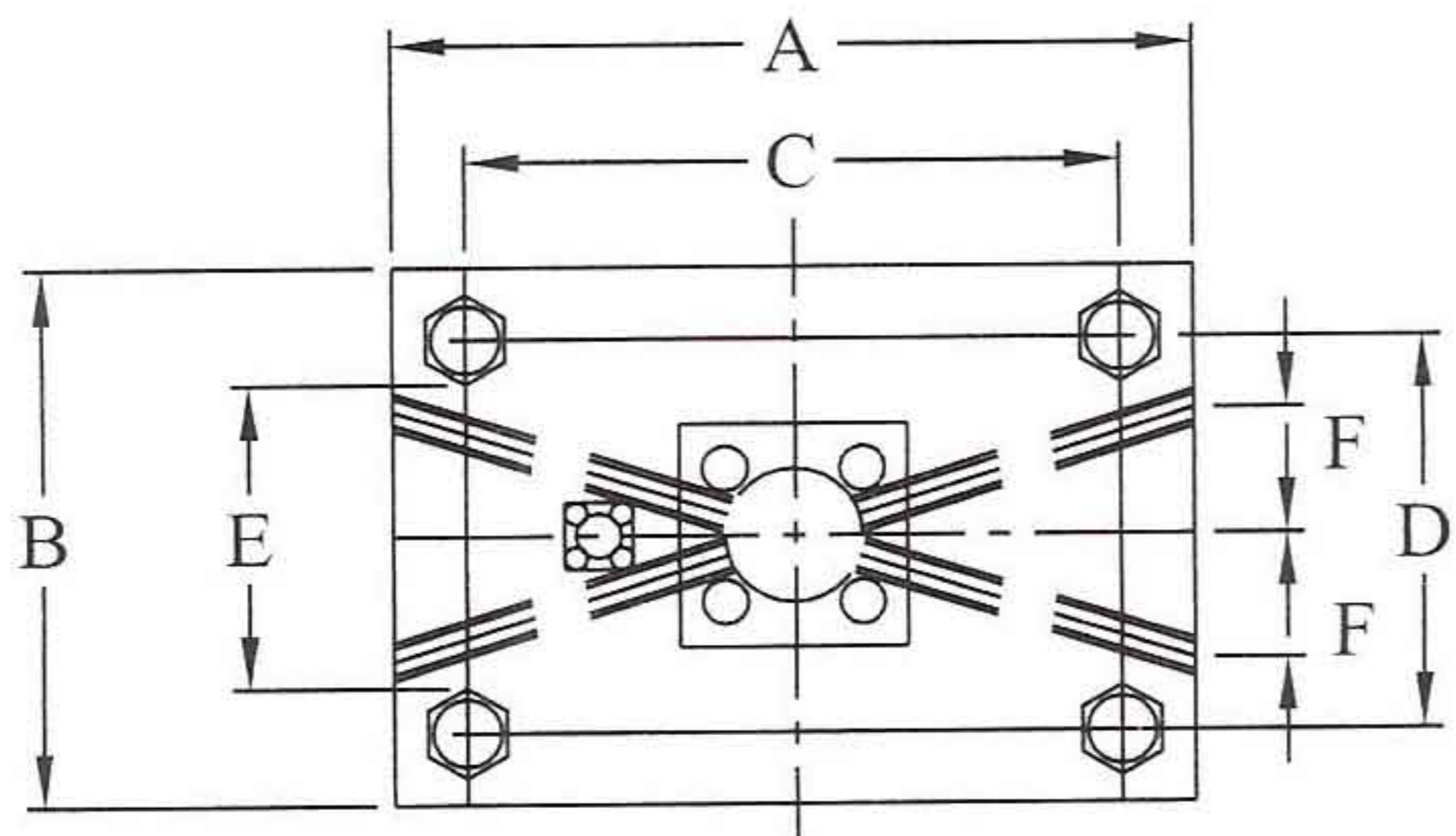
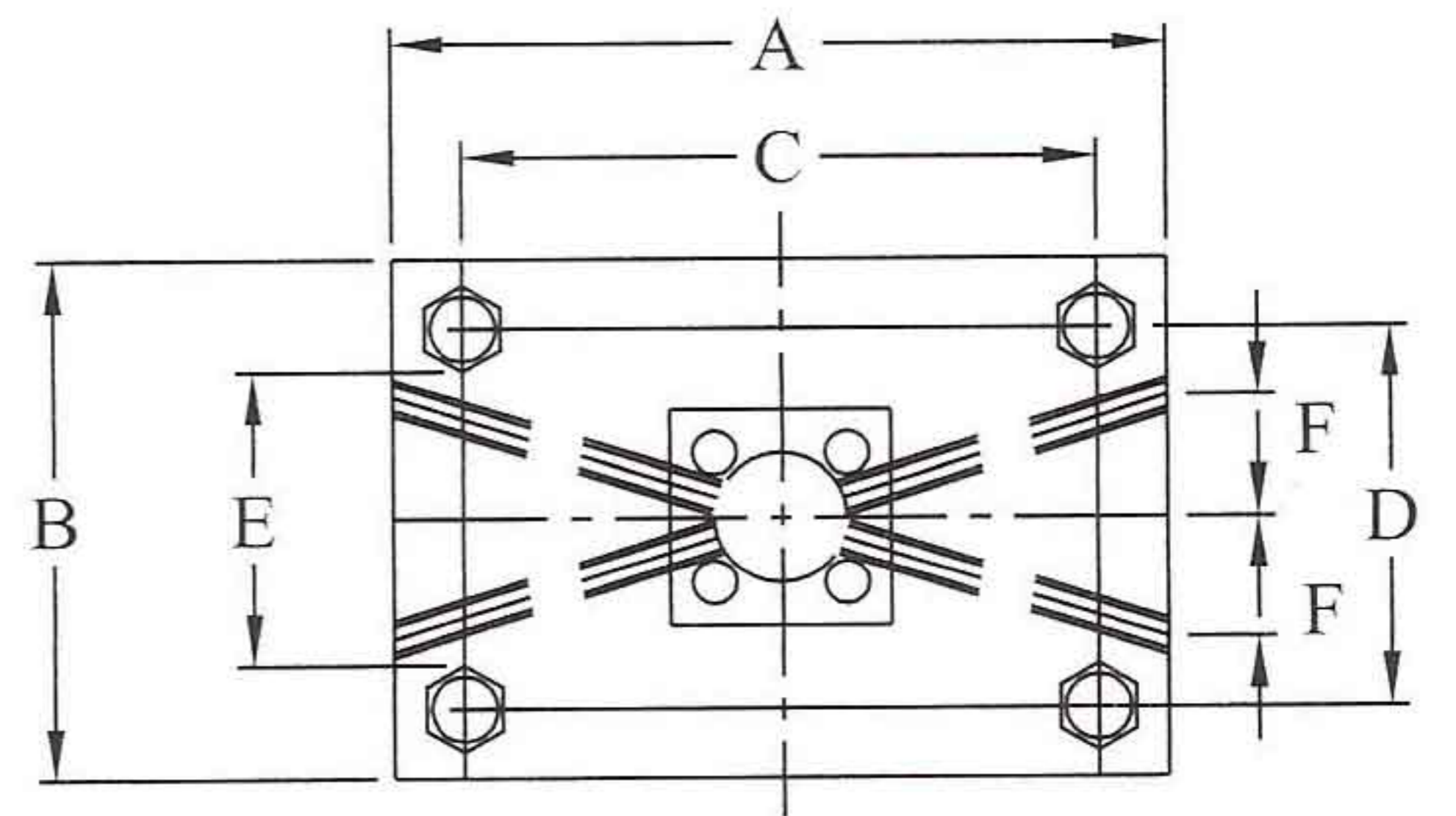


## 4 PILLER PRESS FRAMES

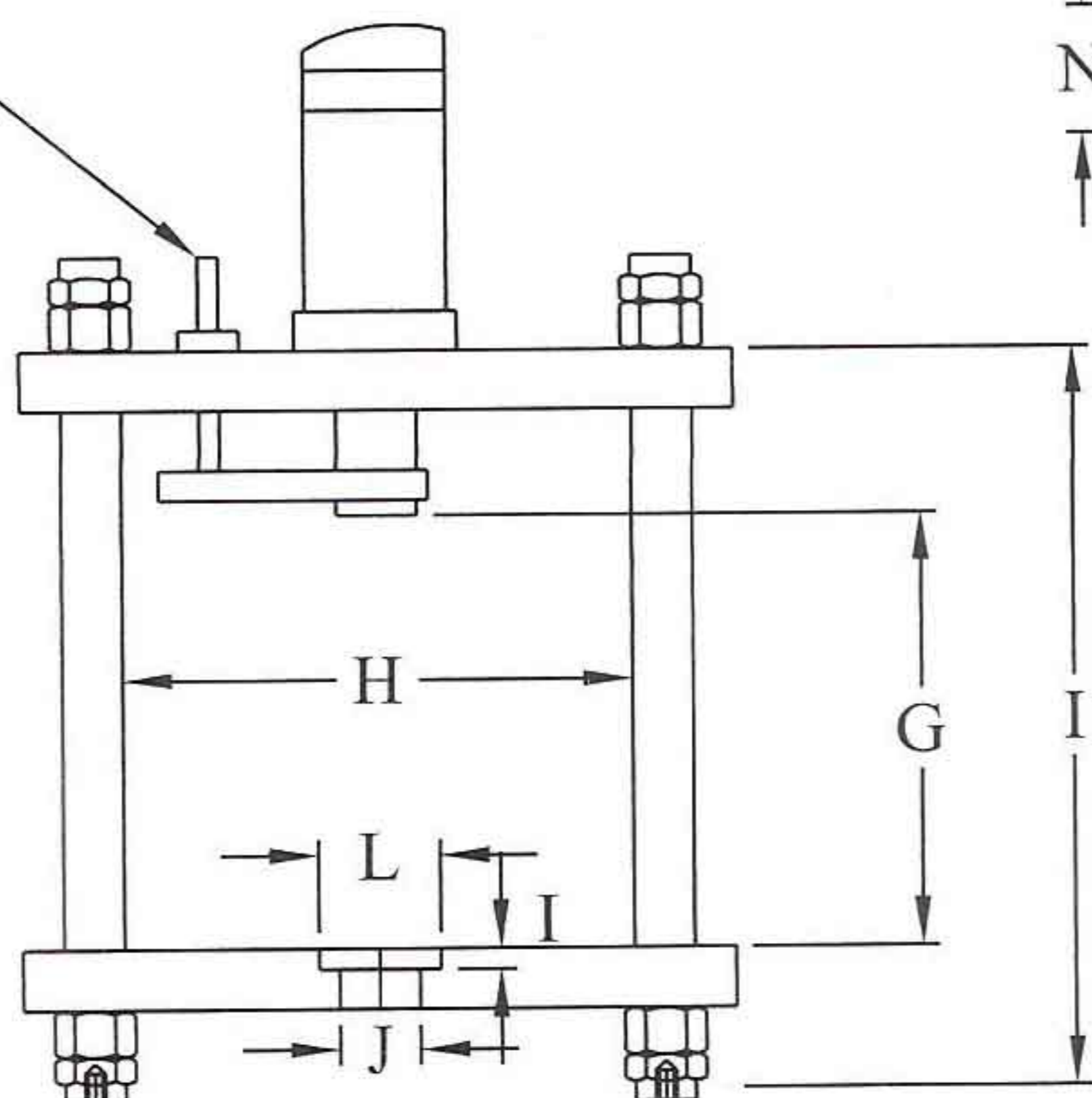
PLAIN & WITH ANTI ROTATION GUIDE



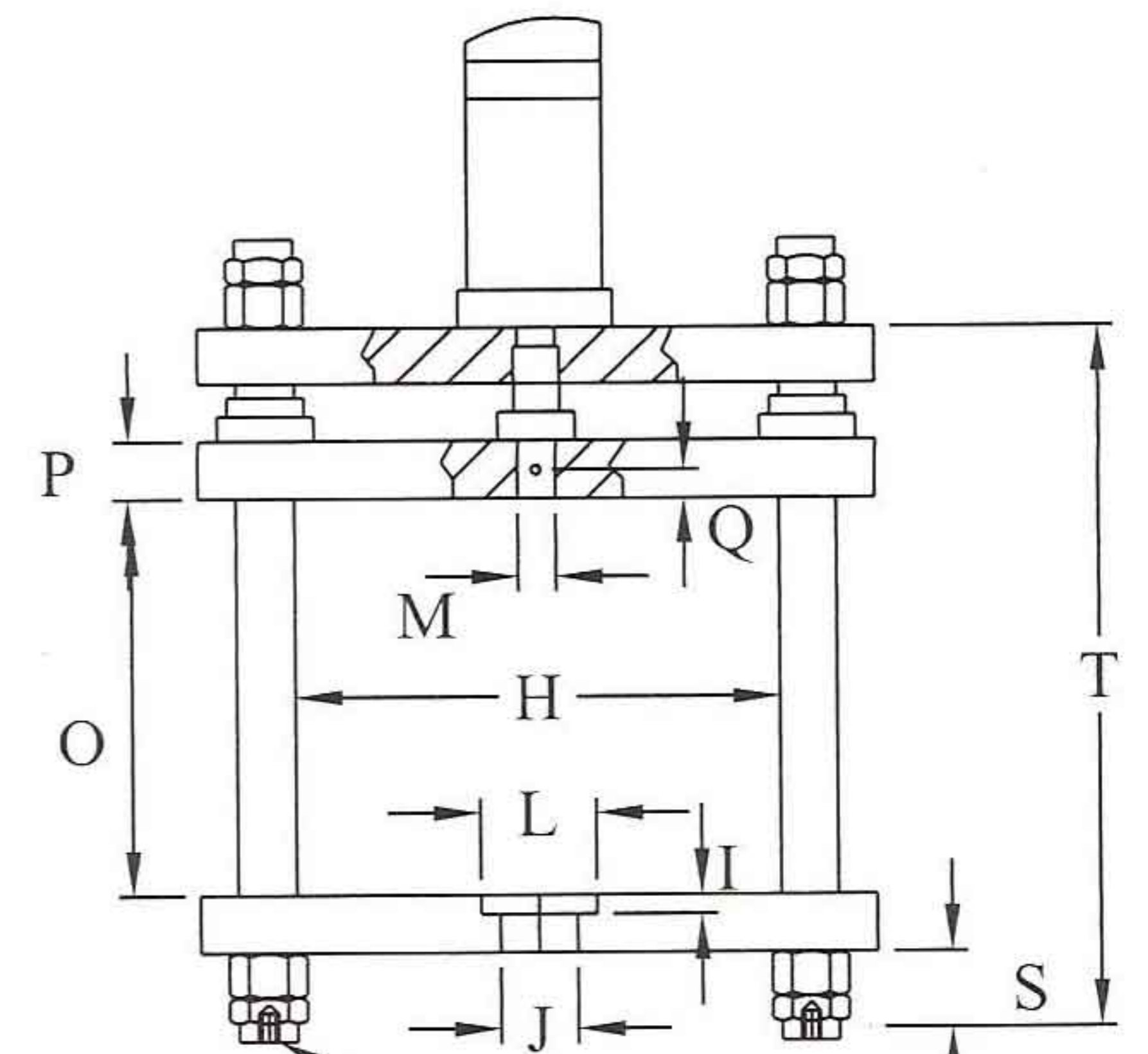
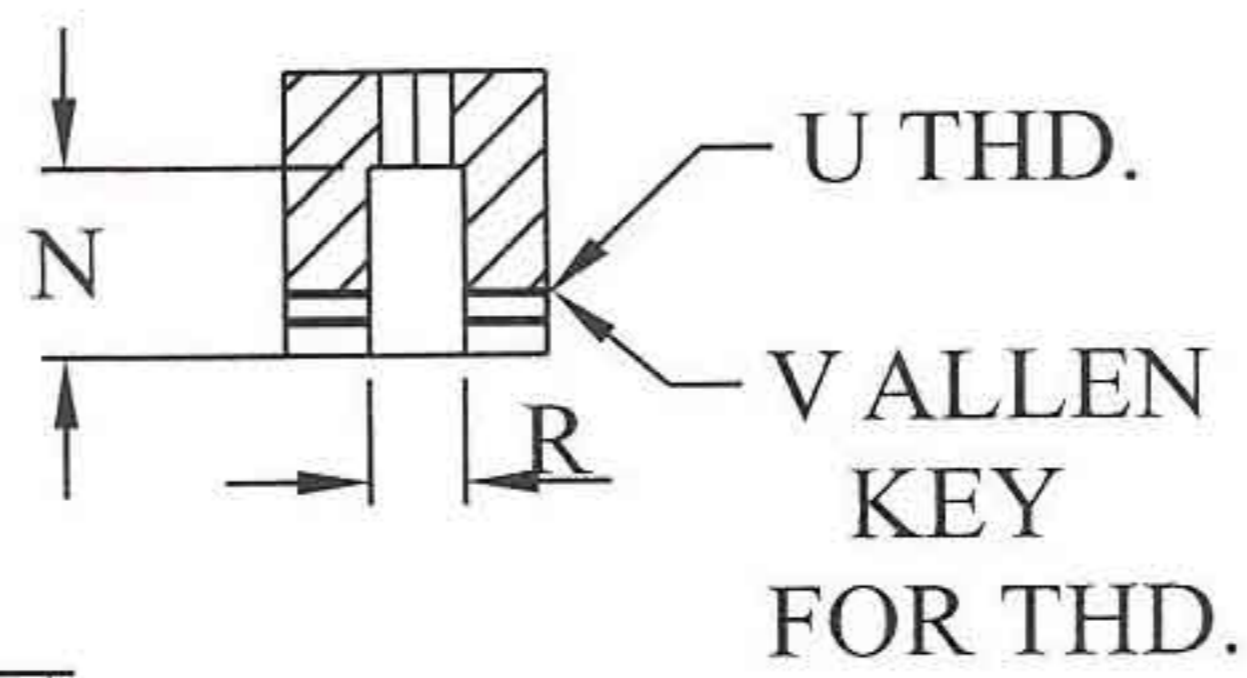
WITH GUIDED MOVING PLATEN



Anti rotation guide



K (4 Nos.)  
For frame mounting.



K (4 Nos.)  
For frame mounting.

### MODEL NUMBER

PLAIN	WITH ANTI ROTATION GUIDE	WITH GUIDED MOVING PLATE	TONNE	A	B	C	D	E	F	G	H	I	J	K	L	M	N	O	P	Q	R	S	T	U	V
N4P02	N4P02R	N4P02G	2	350	250	310	210	175	75	250	275	395	45	M10	60	20	25	250	31	10	20	30	425	M6	3
N4P04	N4P04R	N4P04G	4	390	300	340	250	210	75	300	300	470	55	M12	75	25	30	300	38	12	25	35	505	M8	4
N4P08	N4P08R	N4P08G	8	480	300	400	220	170	75	300	350	515	75	M12	105	25	40	300	53	12	25	55	565	M8	4
N4P15	N4P15R	N4P15G	15	500	325	410	235	175	80	350	350	625	90	M16	130	30	60	350	62	12	30	80	680	M8	4
N4P30	N4P30R	N4P30G	30	510	350	420	260	190	80	350	350	660	90	M16	130	40	80	350	72	15	40	80	735	M10	5